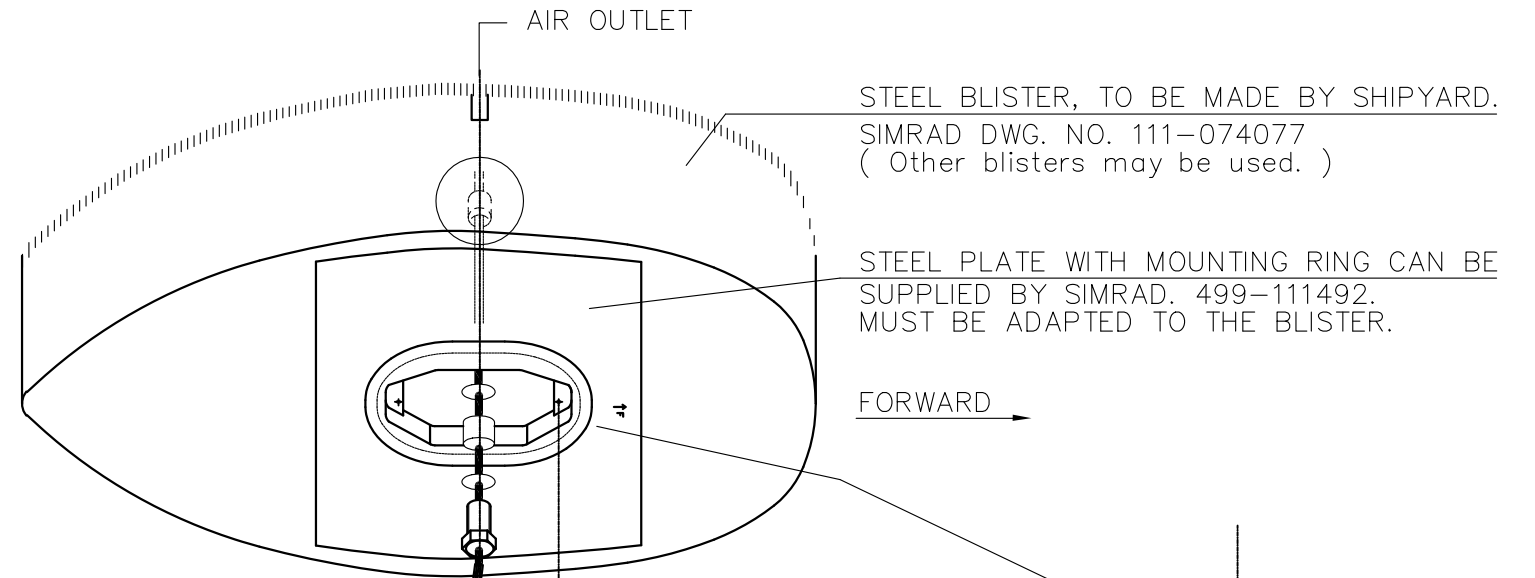
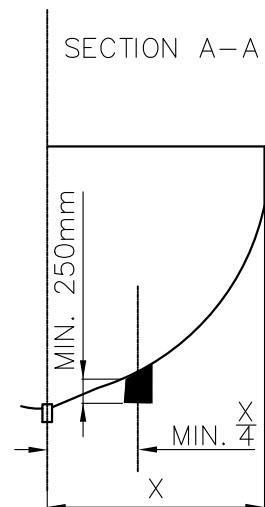
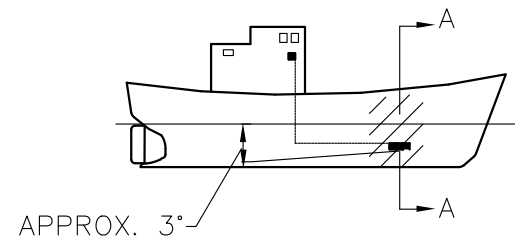


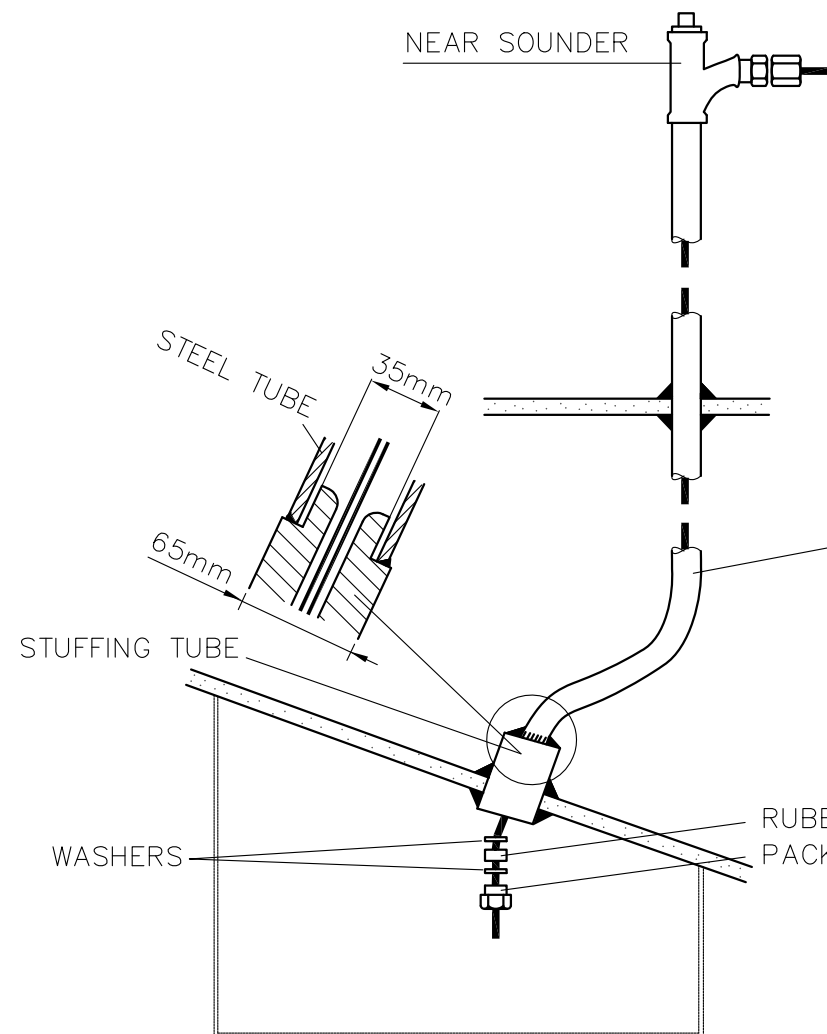
NB: DO NOT LIFT THE
TRANSDUCER BY IT'S CABLE.

RECOMMENDED LOCATION
OF TRANSDUCER

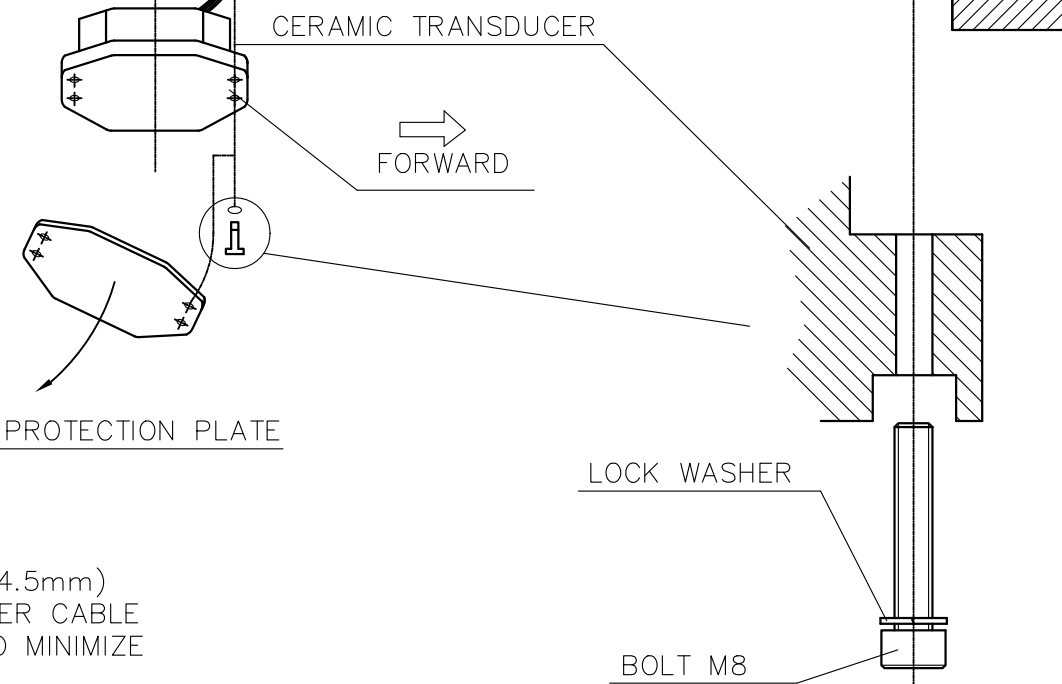


Transducer housings made of polyurethane must in general not be painted due to the risk of chemical reaction. Antifouling paints contain solvent which can attack the polyurethane. If fouling is a problem, use one of the following types which are tested and recommended:

Approved antifouling paints listed in
SIMRAD INSTALLATION MANUAL 851-160164



STEEL TUBE, MIN. 35mm INSIDE DIAM.
WALL THICKNESS MIN. 6mm (IF GALVANIZED 4.5mm)
SIMRAD RECOMMENDS TUBING THE TRANSDUCER CABLE
BETWEEN THE SOUNDER AND TRANSDUCER TO MINIMIZE
ELECTRICAL INTERFERENCE.



▶ APPLY LOCTITE 270 ON EACH BOLT.
TIGHTEN EACH BOLT SEVERAL TIMES:
USE TORQUE 17Nm.

| | | | | | | | | | | |
|-------------------------------------|------------|------|-------------|--|--|--------------------------------------|--|--------------|--|-------|
| REV./SIGN. | B | BOW | | | | | | | | |
| DATE | 2010.02.26 | | | | | | | | | |
| PROJ. METHOD | | | | | | | | | | |
| SCALE | | | | | | | | | | |
| DRAWN | 1993.11.03 | RV | | | | | | | | |
| CHECKED | 1993.11.04 | T.W. | | | | | | | | |
| APPROVED | 1993.11.04 | H.K. | | | | | | | | |
| UNLESS OTHERWISE STATED, TOLERANCE: | | | PARTS LIST: | | | SIMRAD A KONGSBERG Company | | | | |
| DIM.: | | | THREAD: | | | MOUNTING OF TRANSDUCER | | | | |
| | | | | | | ES38-12 | | | | |
| | | | | | | IN STEEL BLISTER | | | | |
| | | | | | | SHEET 1 OF 1 | | SH. SIZE: A4 | | REV.: |
| | | | | | | 820-111495 | | B | | |
| | | | | | | FILE NO.: - | | | | |