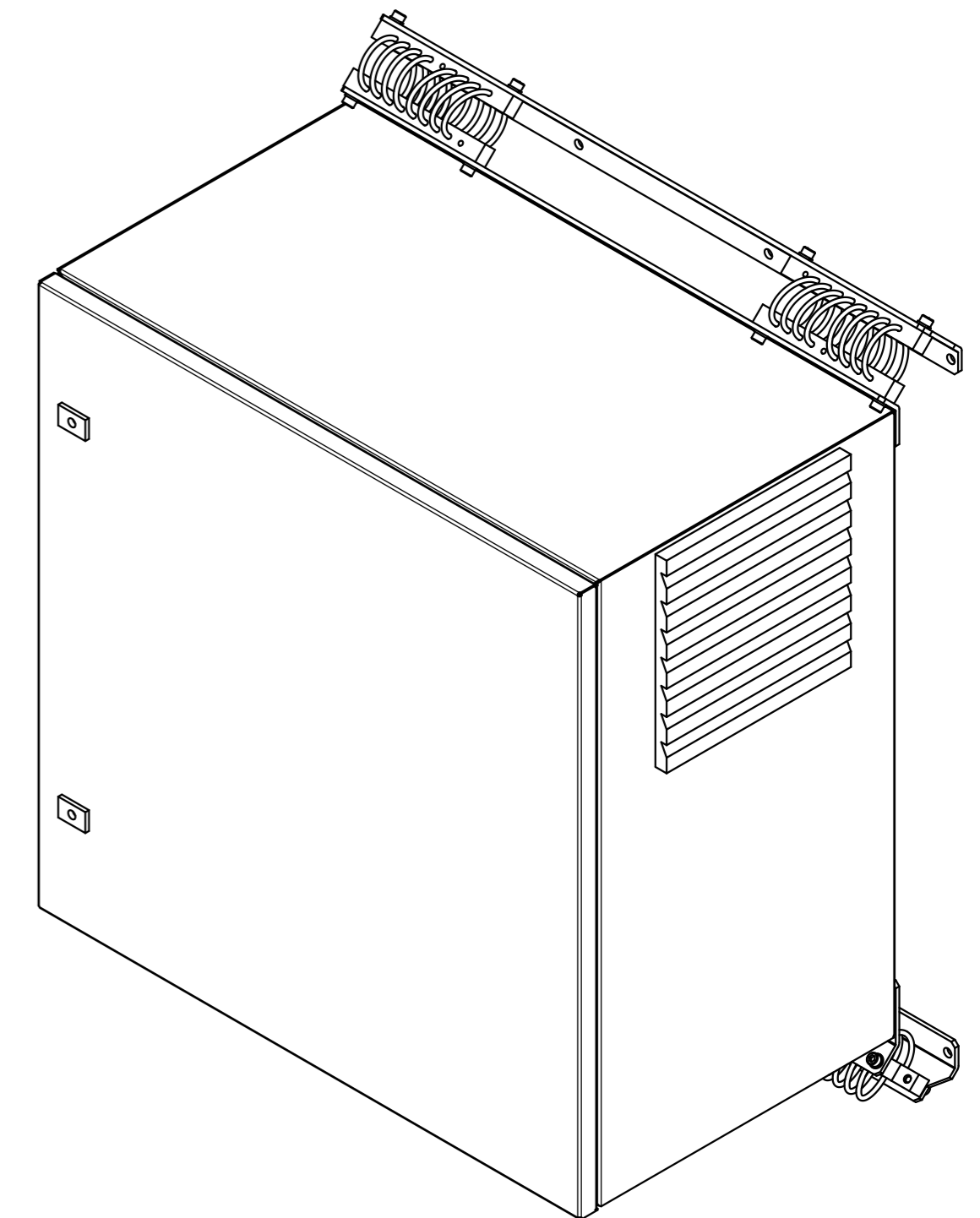
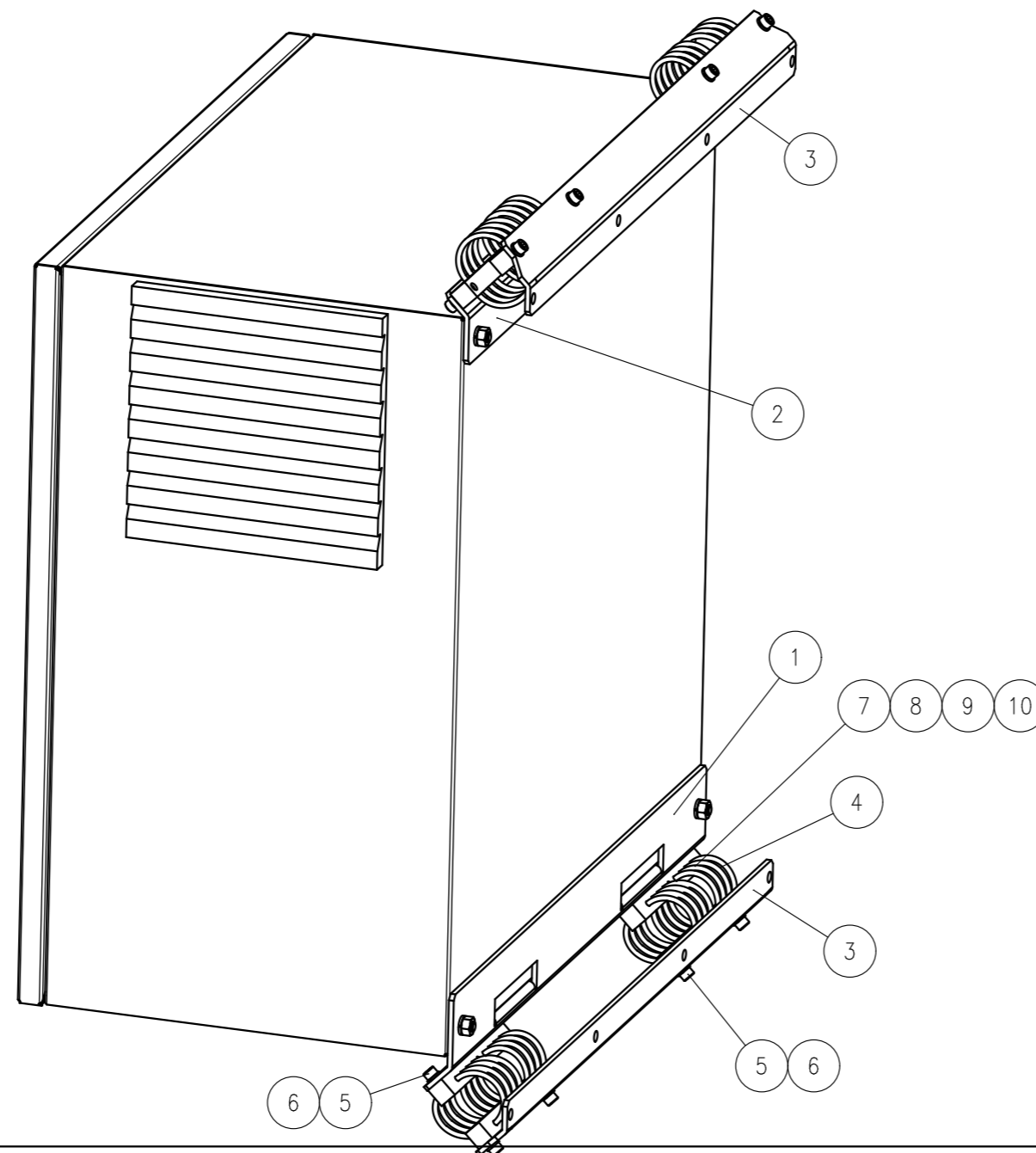
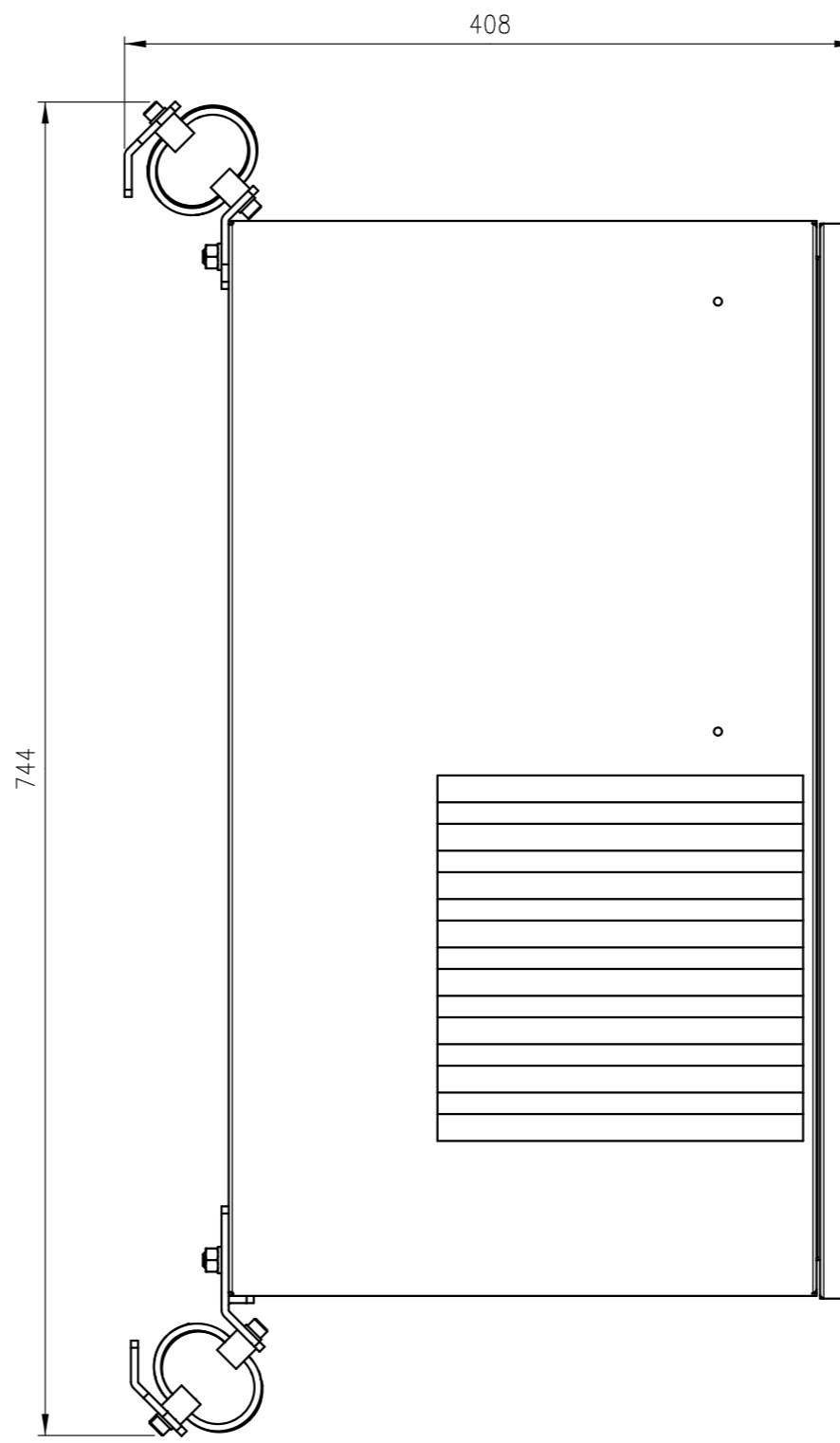
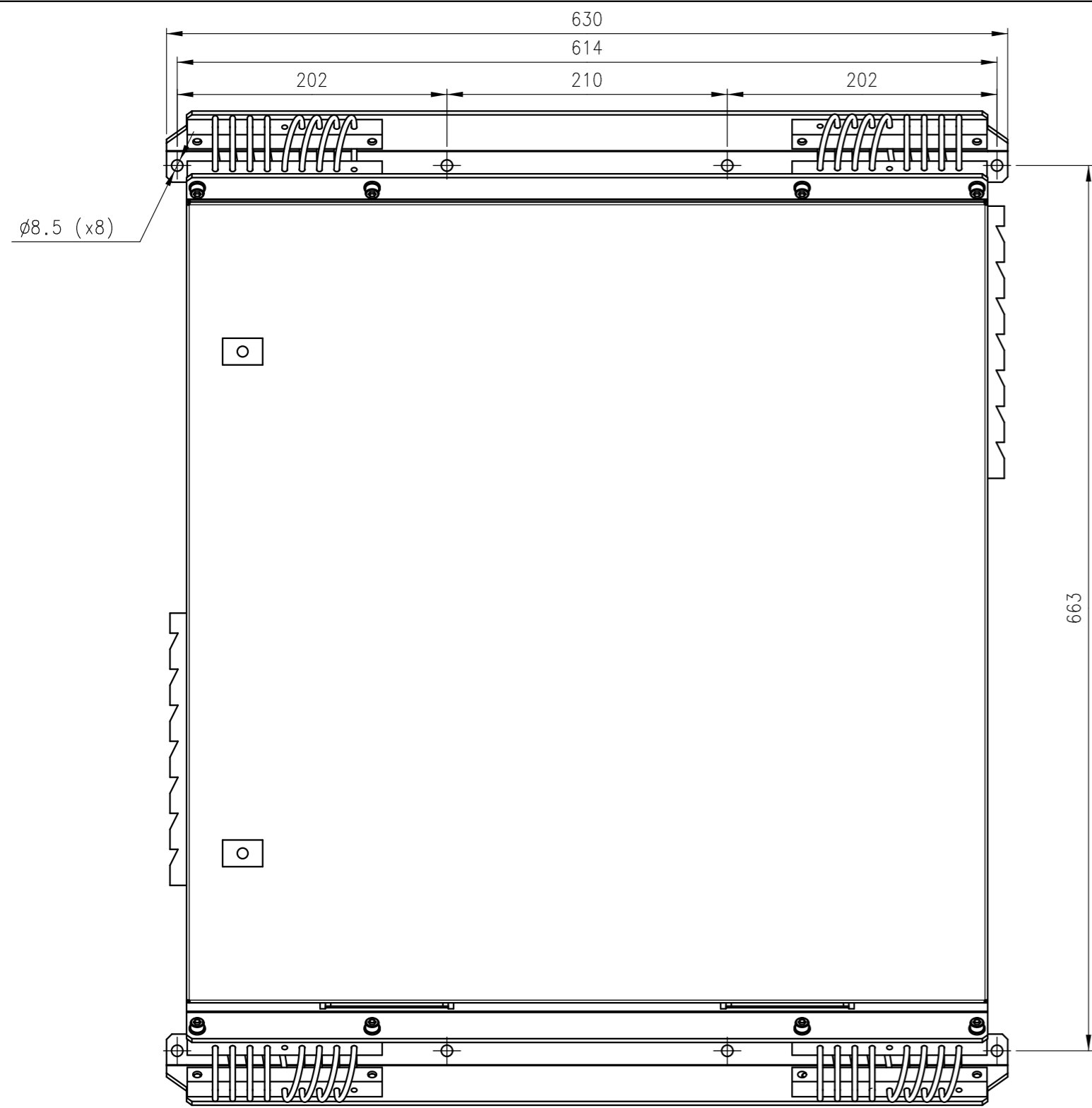



The copyright of this drawing and of all annexes which are entrusted to a person's care always remain the property of Kongsberg Maritime AS. They must not be copied or duplicated nor shown to or placed at the disposal of third persons without our written consent.



MATERIAL:		UNLESS OTHERWISE STATED, TOLERANCES:		PROJ. METHODE	
SURFACE TREATMENT:		DIM.: ISO 2768-mk		THREADS: 6g/6H SURFACE: 6,3	
Absorber assy Cabinet		SCALE		 Kongsberg Maritime AS KONGSBERG	
Powercabinet		1:4			
MBS/MBES		ALTERNATIVE SCALE		REV. A	
		1:5		REV. DATE.	
		CLASS. CODE		2007.06.03	
		595		ITEM ID	
ORIGIN DATE		DESIGNED		311237	
2007.06.03		OS		1 OF 1	
		APPROVED			
		SJ			