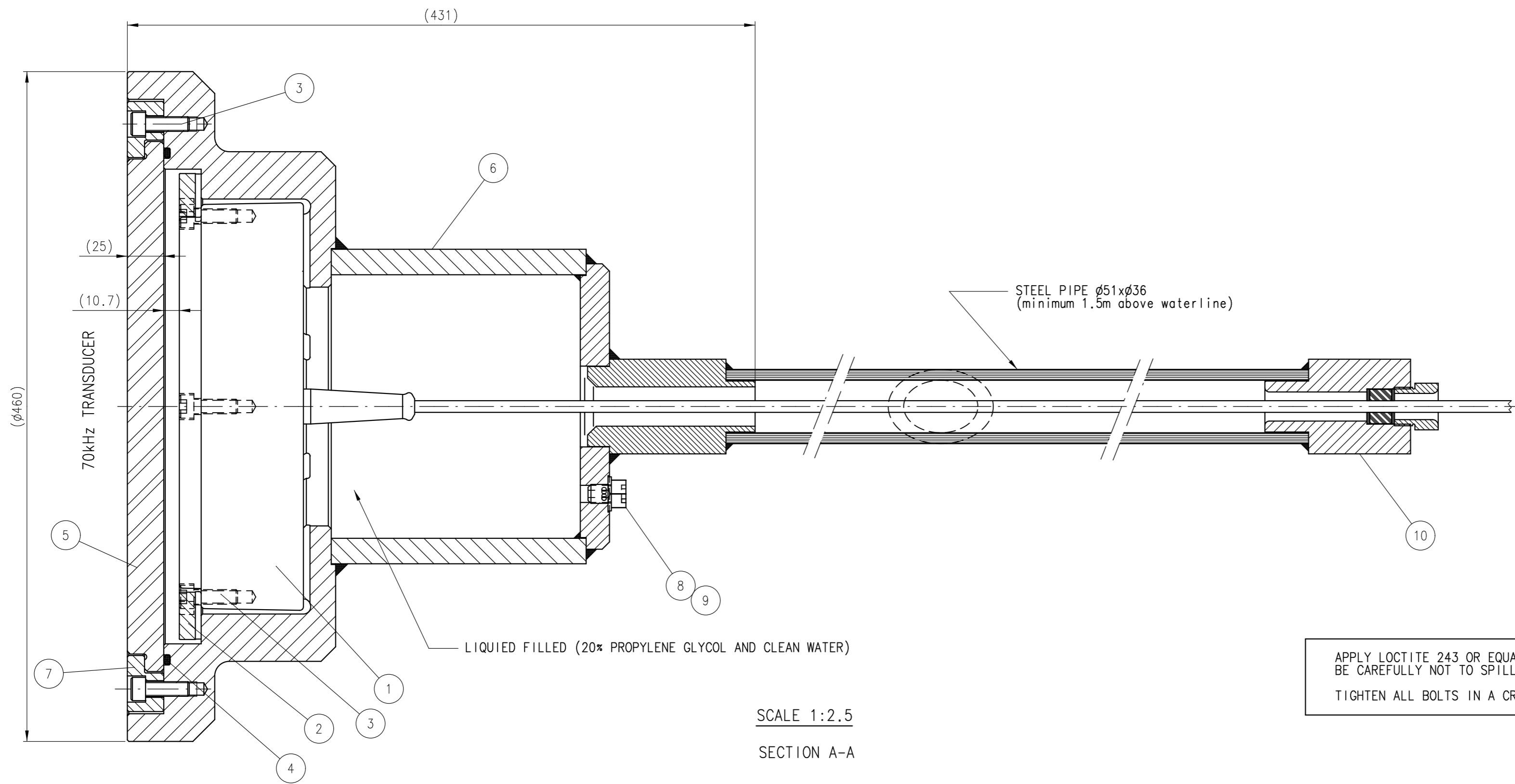
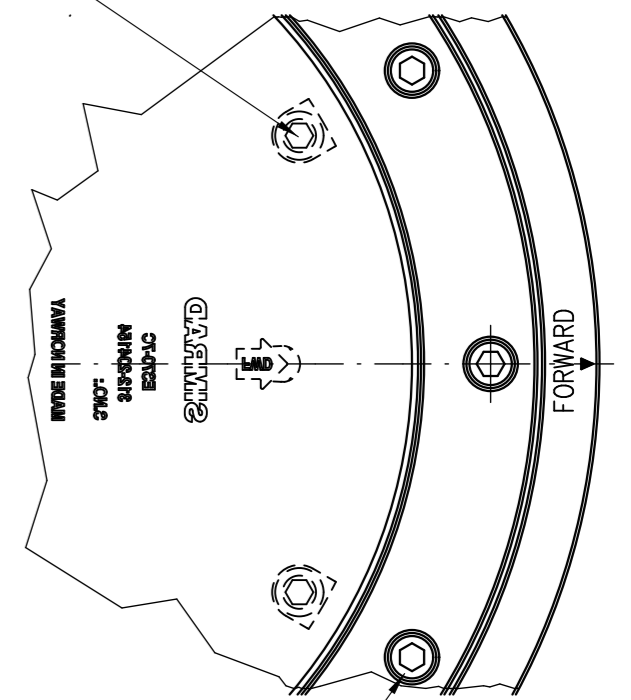


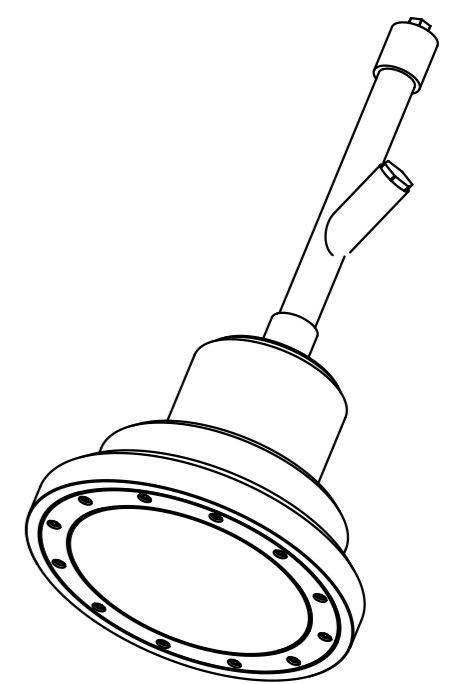
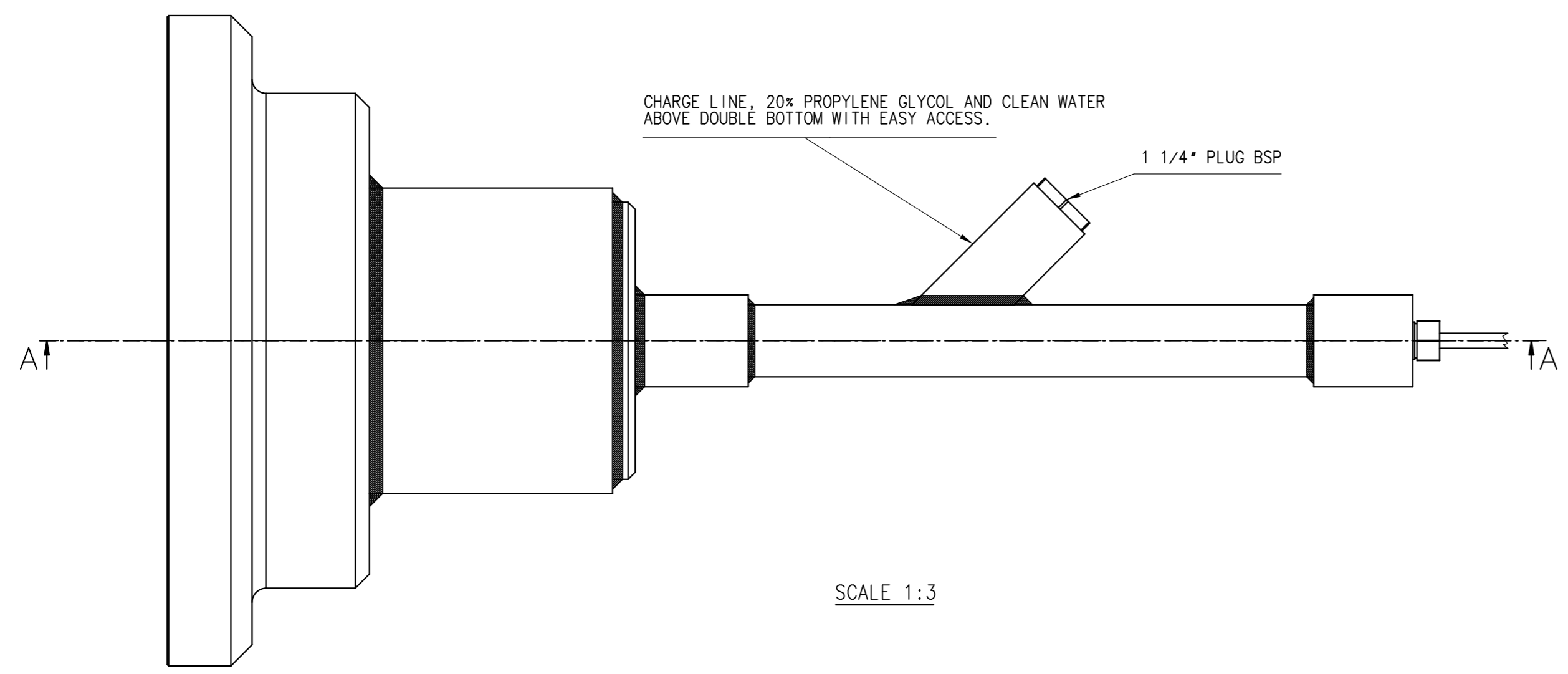
The copyright of this drawing and of all annexes which are entrusted to a person's care always remain the property of Kongsberg Maritime AS. They must not be copied or duplicated nor shown to or placed at the disposal of third persons without our written consent.



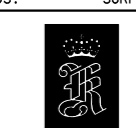
TORQUE: 32Nm



APPLY LOCTITE 243 OR EQUAL ON EACH BOLT AFTER DEGREASING AND CLEANING.  
BE CAREFULLY NOT TO SPILL LOCTITE ON THE ACOUSTIC WINDOW.  
TIGHTEN ALL BOLTS IN A CRISSCROSS SEQUENCE FOR SEVERAL TIMES WITH A FINAL TORQUE OF 20Nm.



SCALE 1:10

MATERIAL: - SURFACE TREATMENT: -		UNLESS OTHERWISE STATED, TOLERANCES: DIM.: -      THREADS: -      SURFACE: -		PROJ. METHODE
ARCTIC TANK ASSY		SCALE 1:2.5	 <b>Kongsberg Maritime AS</b> KONGSBERG	
TRANSDUCER		ALTERNATIVE SCALE 1:3, 1:10		
ES70-7C		CLASS. CODE 599	ITEM ID 329663	REV. B
ORIGIN DATE 2009.01.28	DESIGNED bøj	APPROVED AJ	SIZE A2	SHEET 1 OF 1
				REV. DATE. 2010.10.14