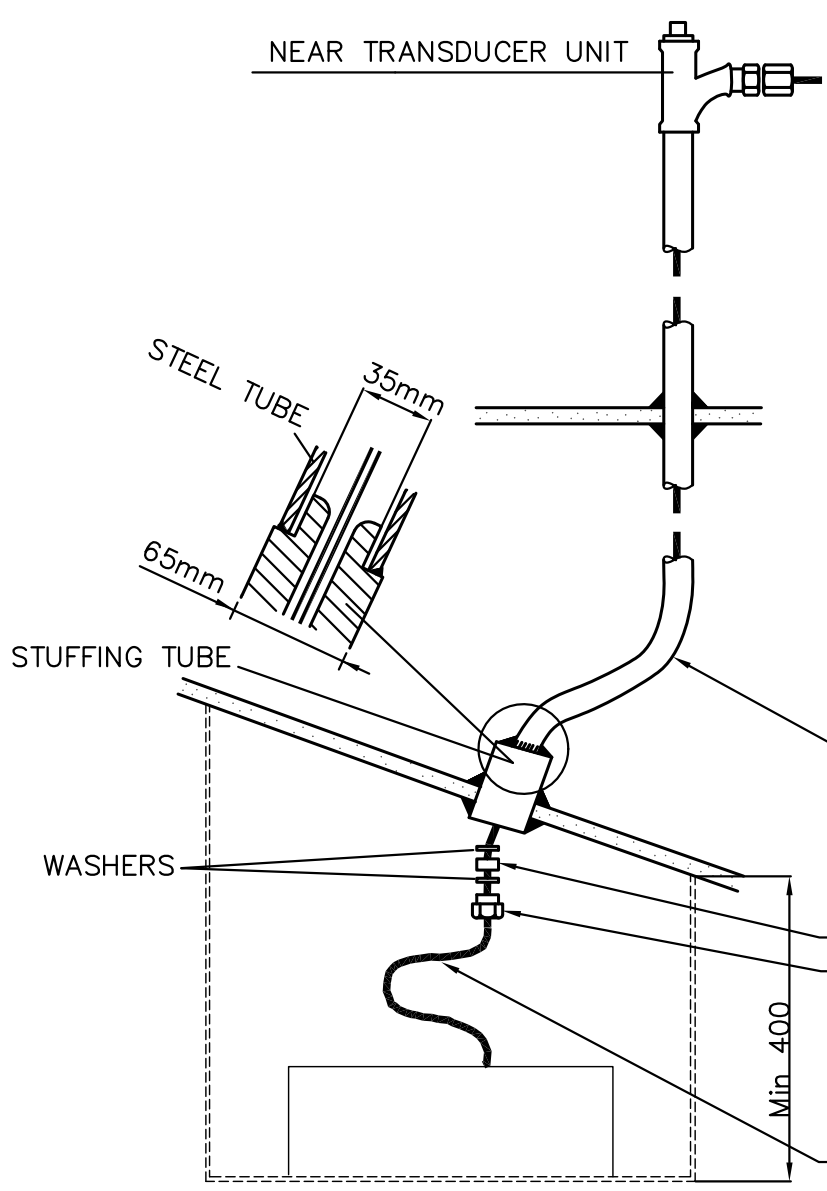
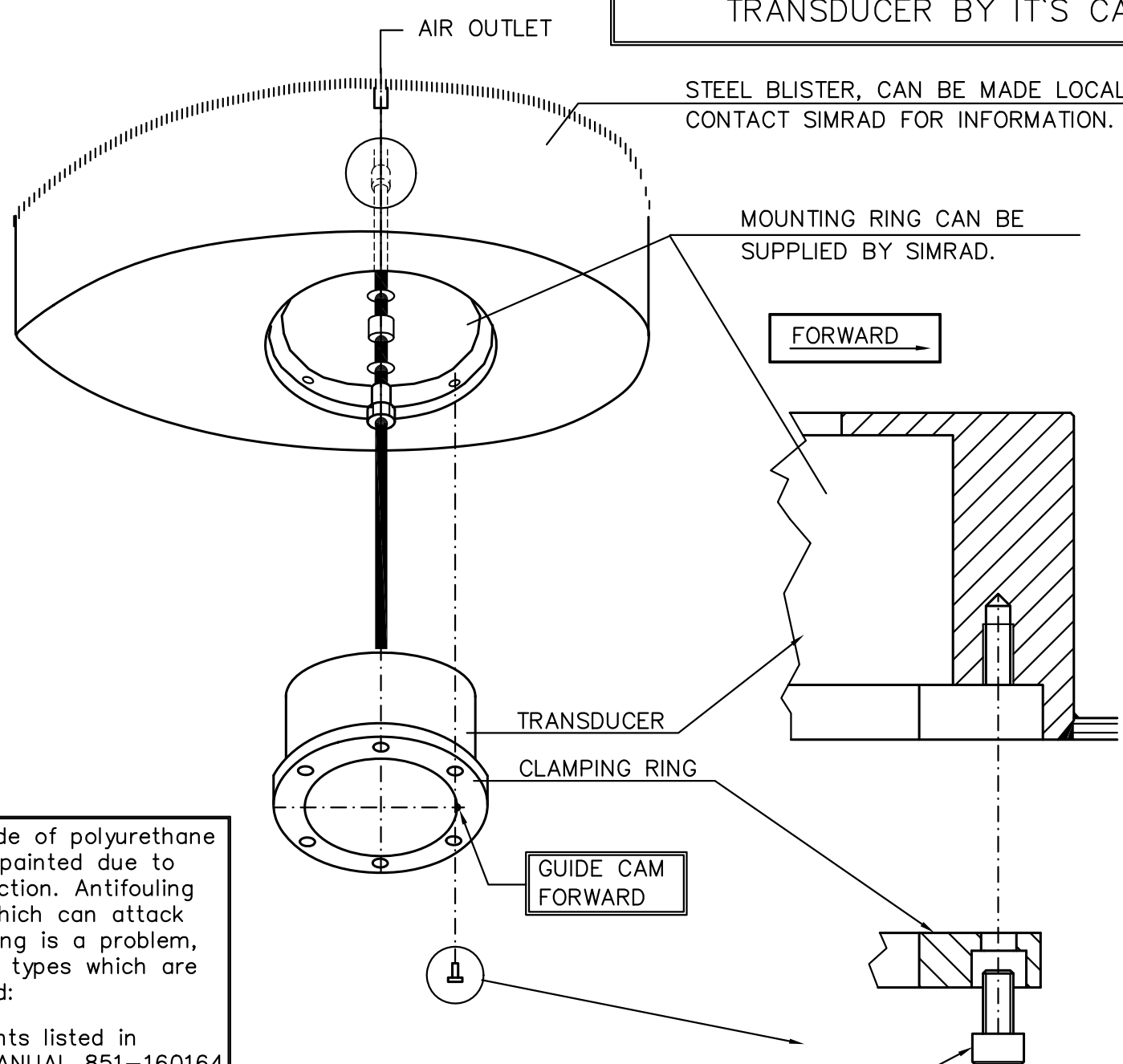
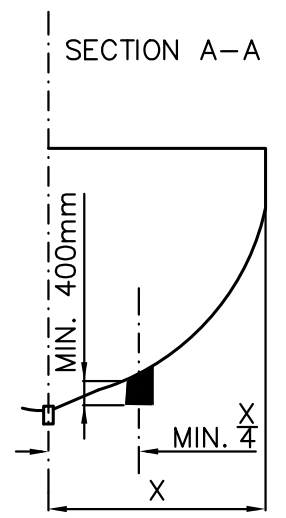
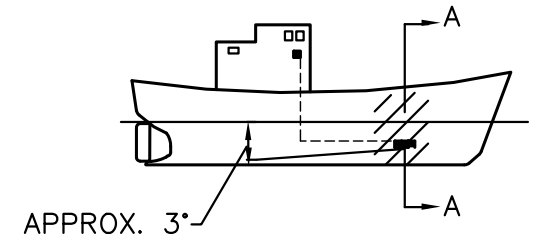


NB: DO NOT LIFT THE TRANSDUCER BY IT'S CABLE.

RECOMMENDED LOCATION OF TRANSDUCER



Transducer housings made of polyurethane must in general not be painted due to the risk of chemical reaction. Antifouling paints contain solvent which can attack the polyurethane. If fouling is a problem, use one of the following types which are tested and recommended:

Approved antifouling paints listed in SIMRAD INSTALLATION MANUAL 851-160164

STEEL TUBE, MIN. 35mm INSIDE DIAM. WALL THICKNESS MIN. 6mm (IF GALVANIZED 4.5mm) SIMRAD RECOMMENDS TUBING THE TRANSDUCER CABLE BETWEEN THE SOUNDER AND TRANSDUCER TO MINIMIZE ELECTRICAL INTERFERENCE.

BOLT M10x20
TIGHTENING TORQUE 32Nm
APPLY LOCTITE 222.

BOLT M8x20
TIGHTENING TORQUE 17Nm
APPLY LOCTITE 222.

| | | | | | | | | | | | | | |
|--------------|----------|----------|---|----------|---|------------|---|------------|---|-----|--------------|--------------------------------------|-------|
| REV./SIGN. | B | OMJ | C | OMJ | D | OS | E | BOW | F | BOW | | | |
| DATE | 01.01.03 | 01.12.10 | | 04.06.16 | | 2009.01.16 | | 2010.02.26 | | | | | |
| PROJ. METHOD | | | | | UNLESS OTHERWISE STATED, TOLERANCE: DIM.: ISO 2768-mK THREAD: 6g/6H | | | | | | PARTS LIST: | SIMRAD A KONGSBERG Company | |
| SCALE | - | | | | Mounting arrangement of Transducer in steel blister | | | | | | SHEET 1 OF 1 | SH.SIZE: A3 | REV.: |
| DRAWN | 00.11.14 | | | TW | | | | | | | 820-204678 | F | |
| CHECKED | 00.12.05 | | | BOJ | | | | | | | | | |
| APPROVED | 00.12.06 | | | KTP | TRANSDUCERS | | | | | | FILE NO.: - | | |