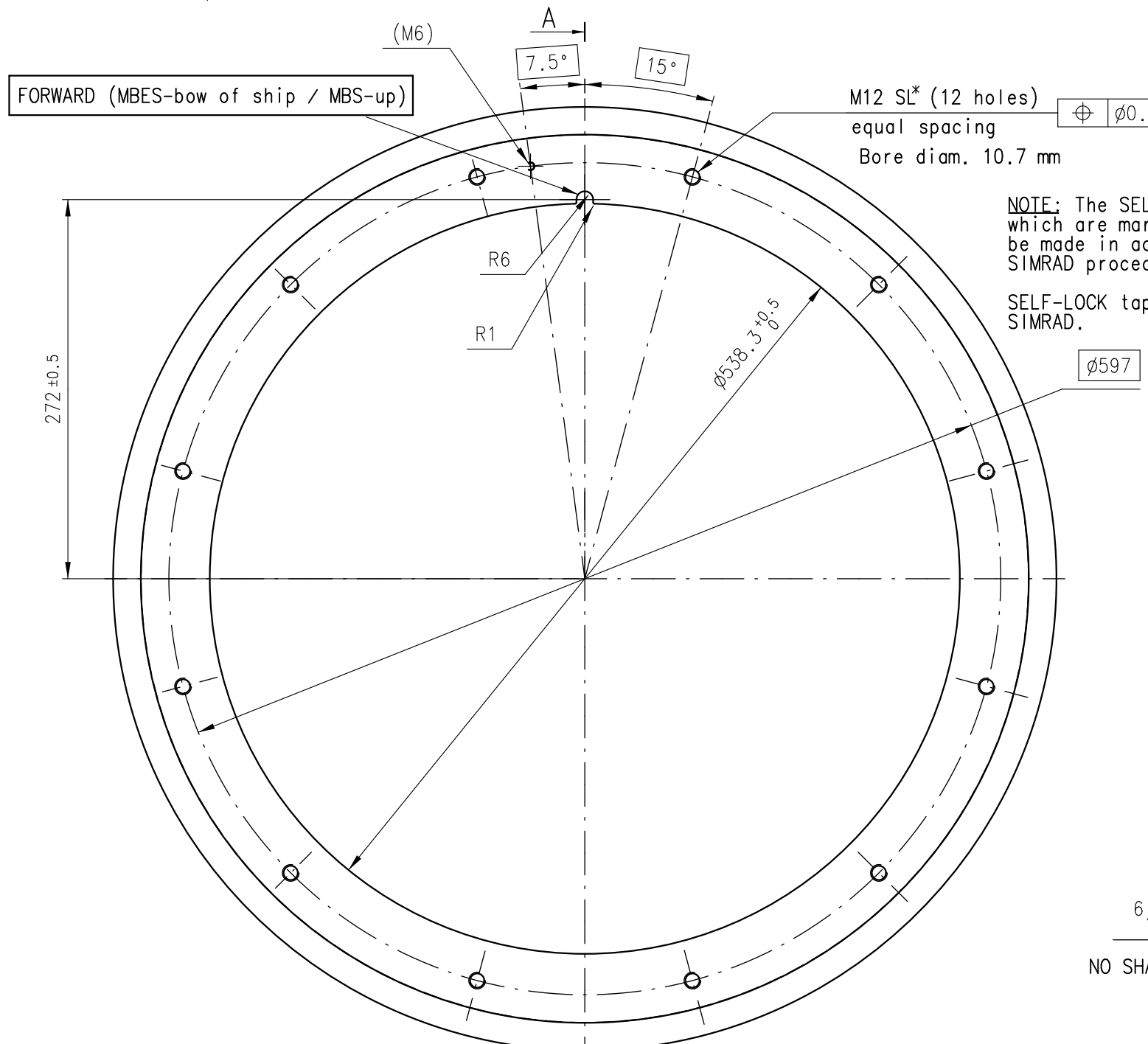
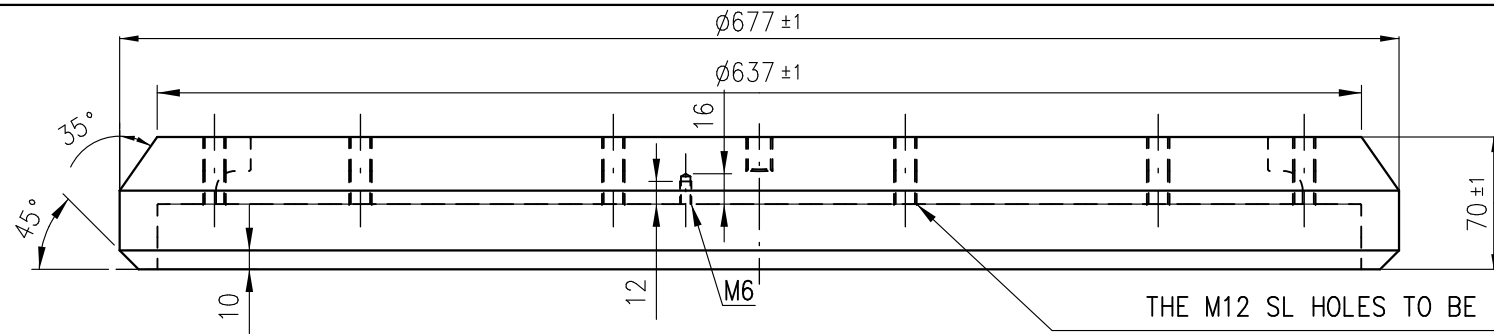
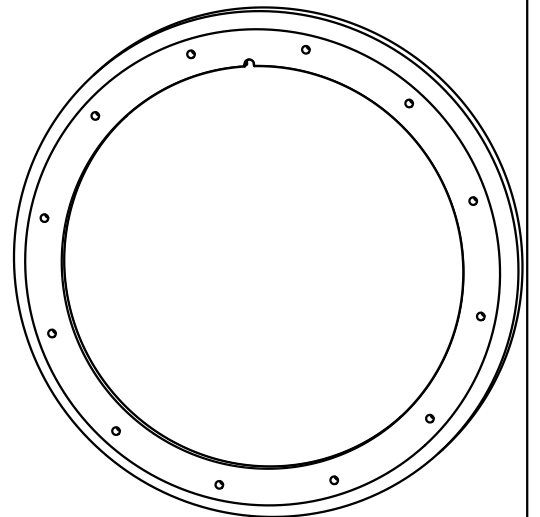
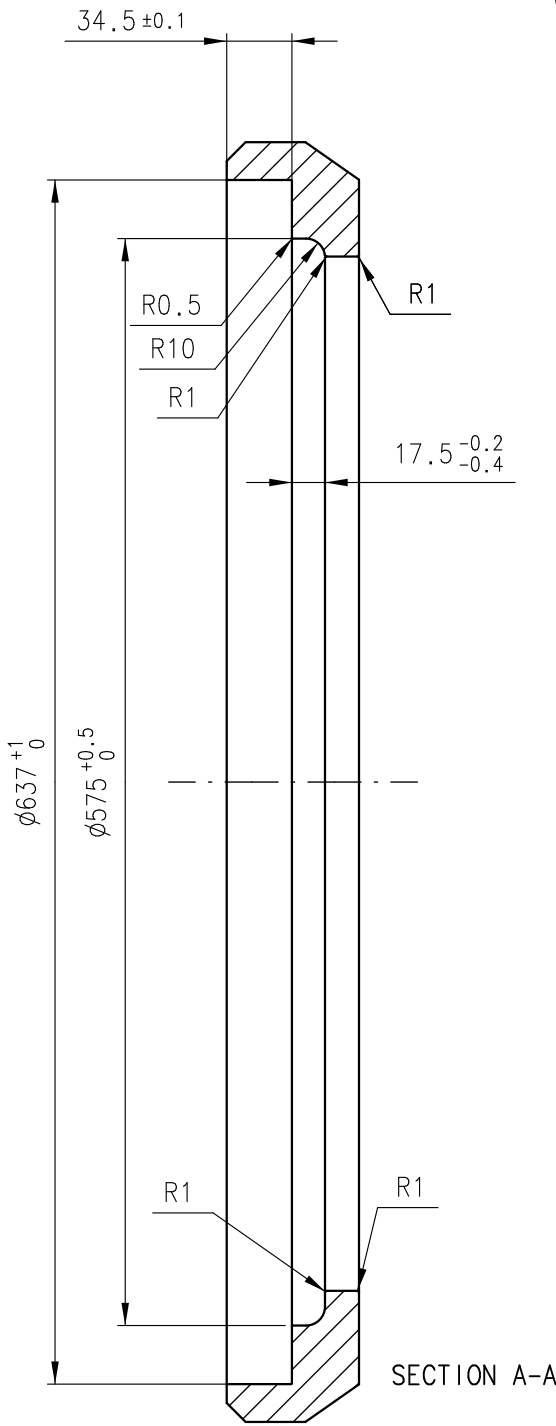


The copyright of this drawing and of all annexes which are entrusted to a person's care always remain the property of Kongsberg Maritime AS. They must not be copied or duplicated nor shown to or placed at the disposal of third persons without our written consent.

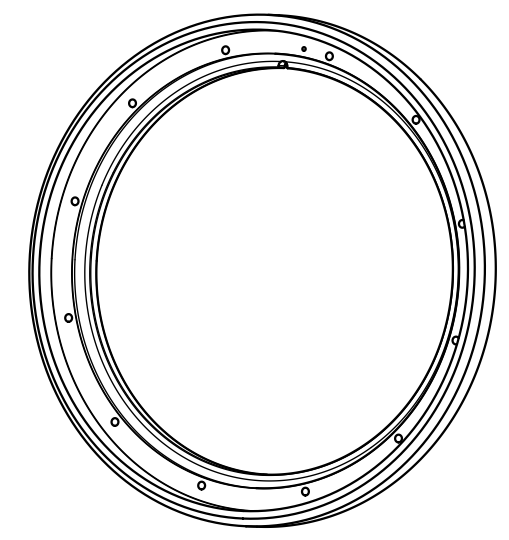


NOTE: The SELF-LOCK threads which are marked with SL* must be made in accordance to the SIMRAD procedure 842-202125.
SELF-LOCK taps can be supplied by SIMRAD.

6.3
NO SHARP EDGES





TOP VIEW
SCALE 1:10



BOTTOM VIEW

A-A
(TOP VIEW)

MATERIAL: CARBON STEEL St52 or equal.

MOUNTING RING TRANSDUCER		SCALE 1:4		 A KONGSBERG Company		
MBES / MBS		SCALE 1:10				
DATE 2004.07.05	DESIGNED bøj	CHECKED KTP	APPROVED HK	PROJ. METHODE 	DWG. NO. 871-208461	REV. F
UNLESS OTHERWISE STATED, TOLERANCES: DIM.: ISO 2768-mK THREADS: 6g/6H SURFACE: Ra6.3				SIZE A3	SHEET 1 OF 1	FILE NO:

F	6/3-17	bøj
E	11/3-11	bøj
D	28/9-04	bøj
C	25/8-04	bøj
B	9/8-04	bøj
ISSUE	DATE	SIGN