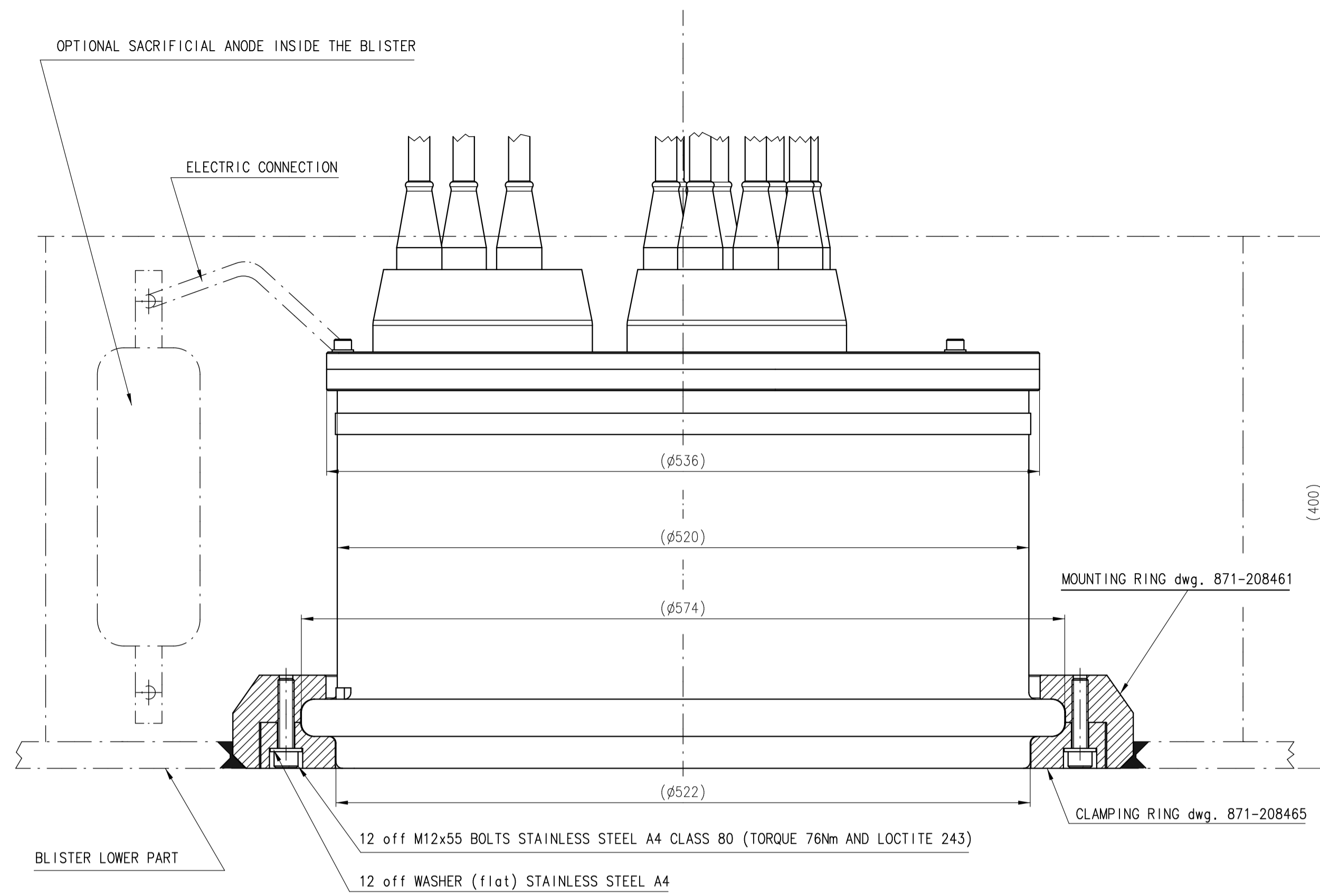
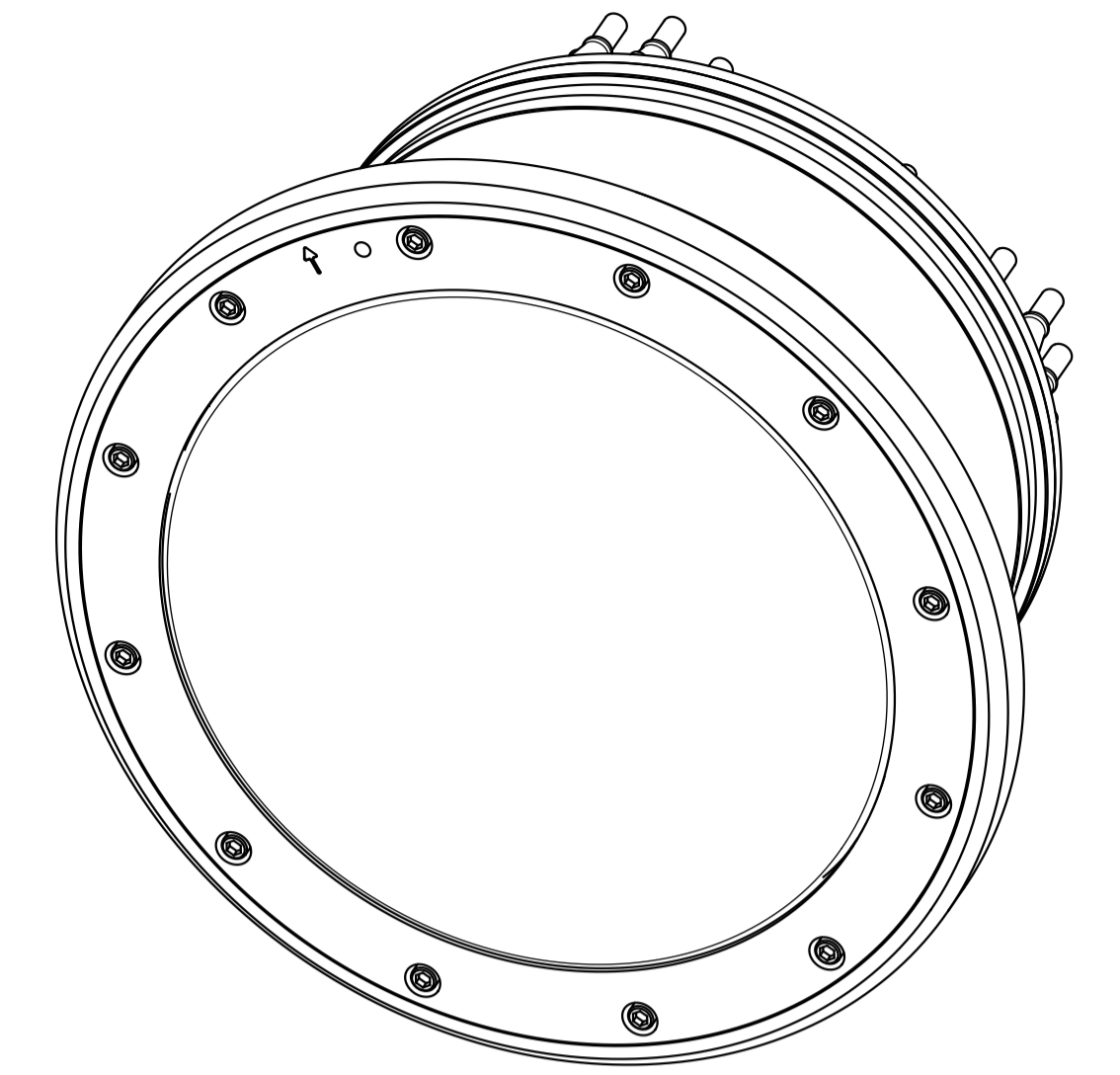


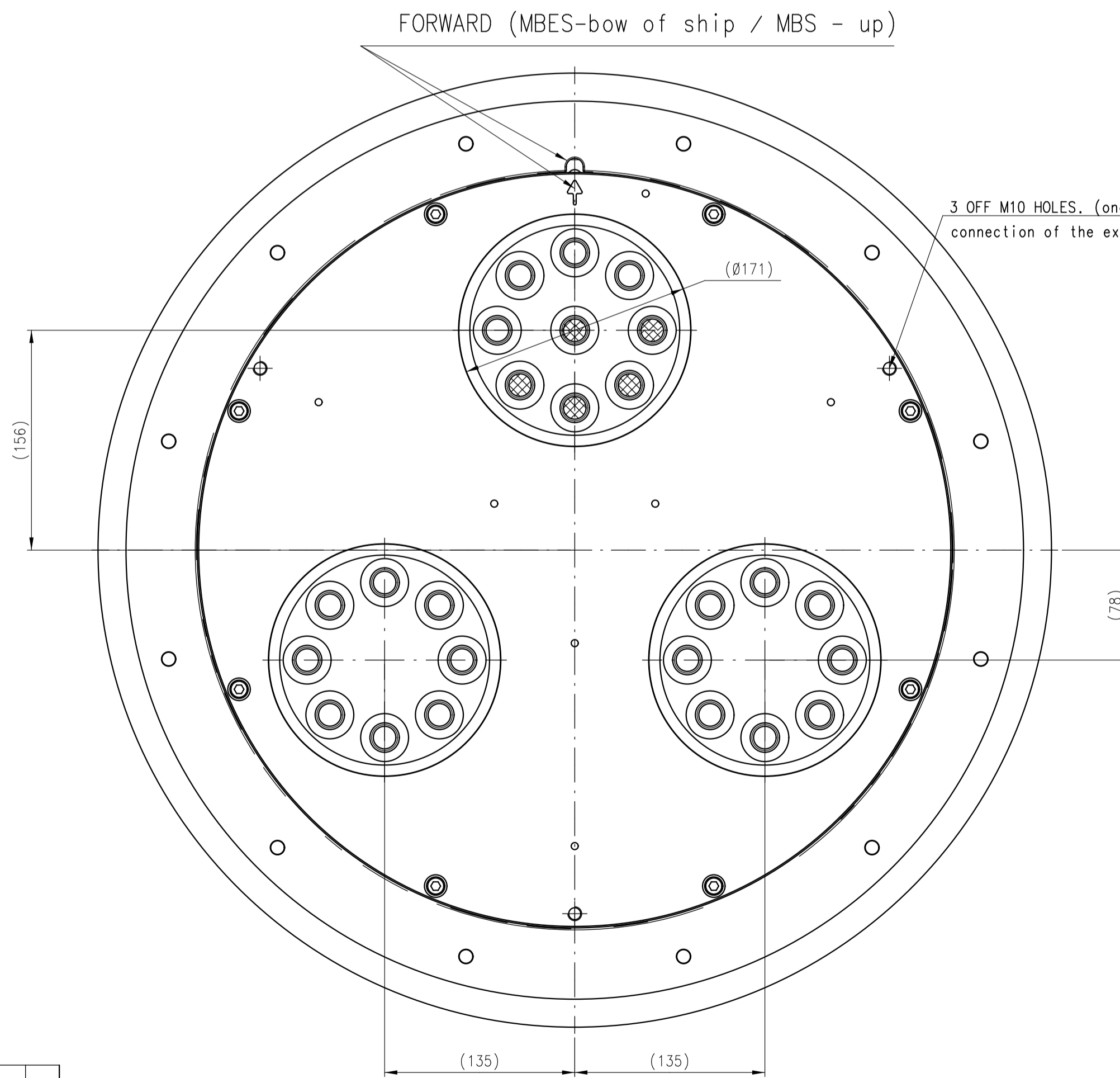
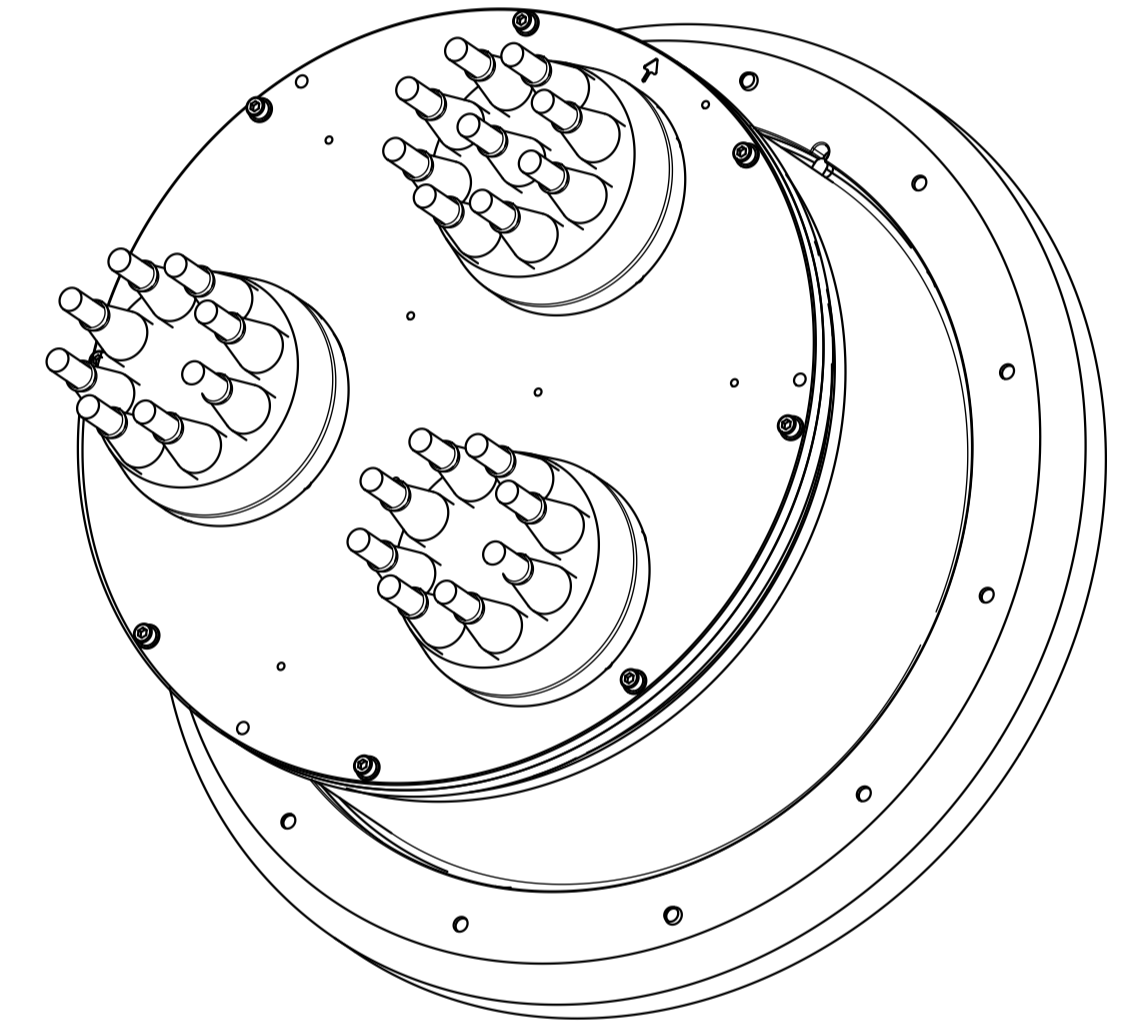
SIDE VIEW



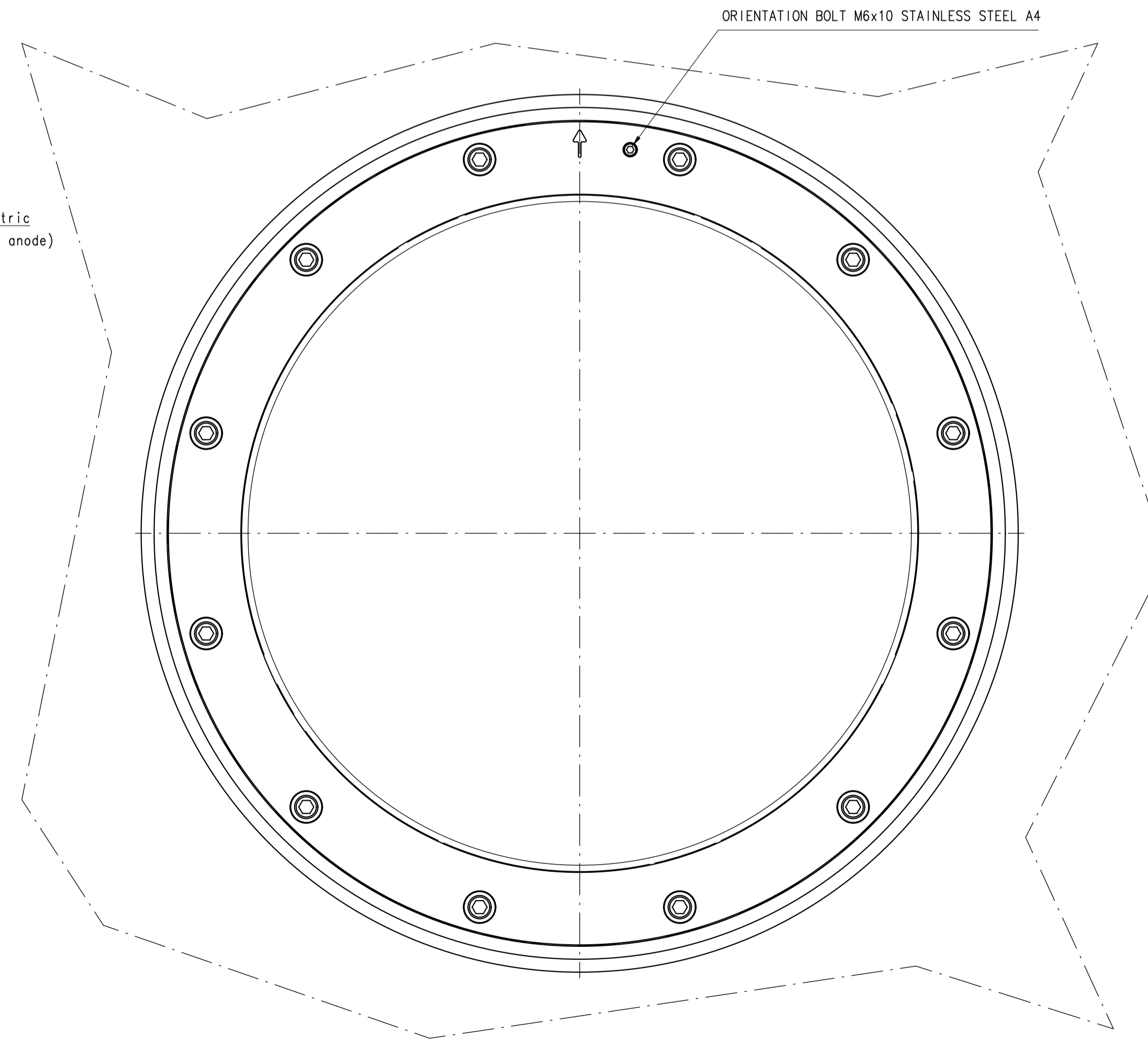
SIDE VIEW (cross section of mounting ring / clamping ring)



SCALE 1:5



TOP VIEW



BOTTOM VIEW

TOTAL WEIGHT IN AIR OF THE TRANSDUCER AND CABLES: 490kg.

OUTLINE DIMENSIONS TRANSDUCER WITH MOUNTING RING MBES				SCALE 1:3 1:10		SIMRAD A KONGSBERG Company	
DATE 2003.10.29	DESIGNED BOJ	CHECKED KTP	APPROVED HK	PROJ. METHODE ☐	DWG. NO. 830-208463	REV. C	
UNLESS OTHERWISE STATED, TOLERANCES: DIM.: ISO 2768-mK THREADS: 6g/6H SURFACE: Ra6.3				SIZE A1	SHEET 1 OF 1	FILE NO: CAD01	

The copyright of this drawing and of all annexes which are entrusted to a person's care always remain the property of Kongsberg Maritime AS. They must not be copied or duplicated nor shown to or placed at the disposal of third persons without our written consent.

C	2005.04.14	bøj
B	10/8-04	bøj
ISSUE	DATE	SIGN