

Simrad ES70-7C

Split beam echo sounder transducer

Introduction

The **Simrad ES70-7C** is a split-beam composite transducer with a large bandwidth. This provides a fine range resolution, which is important for single fish detection and target strength measurement. The transducer has four quadrants.

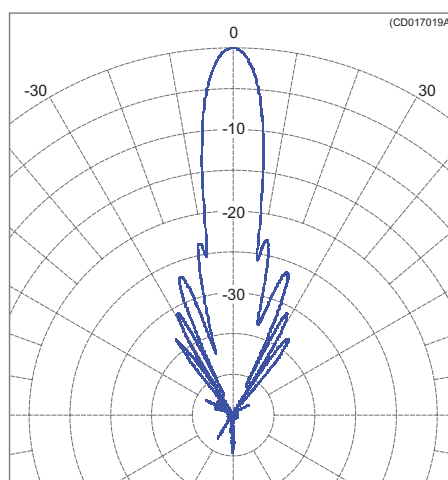
Order number

KSV-203678

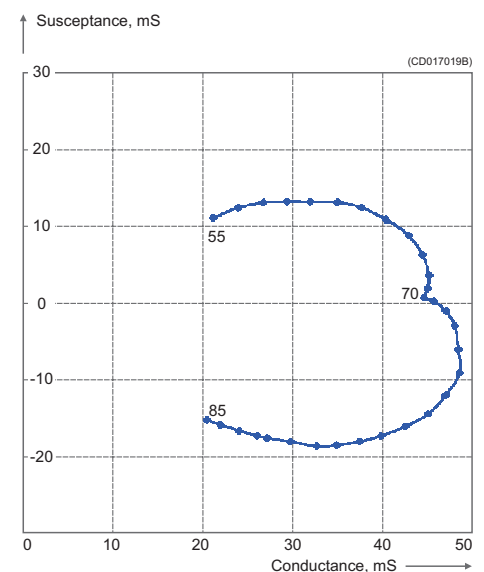
Technical specifications

The following specifications are valid when all four quadrants are wired in parallel.

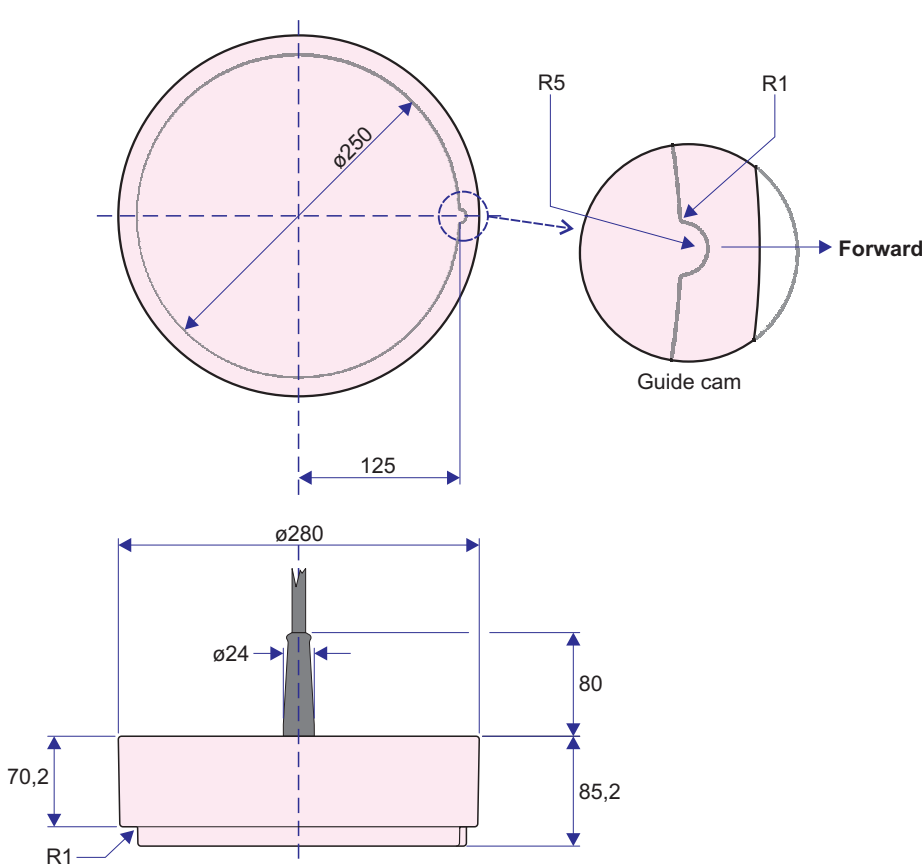
- Resonant frequency: 70 kHz
- Circular beamwidth: 7 deg
- Directivity:
 - D: 650
 - DI = 10 log D: 28 dB
- Equivalent two-way beam angle:
 - Ψ : 0.009
 - 10 log Ψ : -21 dB
- Side lobes: Less than -23 dB
- Back radiation: Less than -40 dB
- Nominal impedance: 19 ohm
- Transmitting response: 185 dB re 1 μ Pa per V
- Receiving sensitivity, open circuit: -190 dB re 1V per μ Pa
- Electro-acoustic efficiency: 0.75
- Max. pulse power input: 1000 W
- Max. continuous input: 10 W
- Max. transducer depth: 20 m
- Cable length: 20 m
- Cable diameter: 10.6 mm
- Weight without cable: 6.4 kg
- Storage temperature: -20° to 70°C



Beam pattern

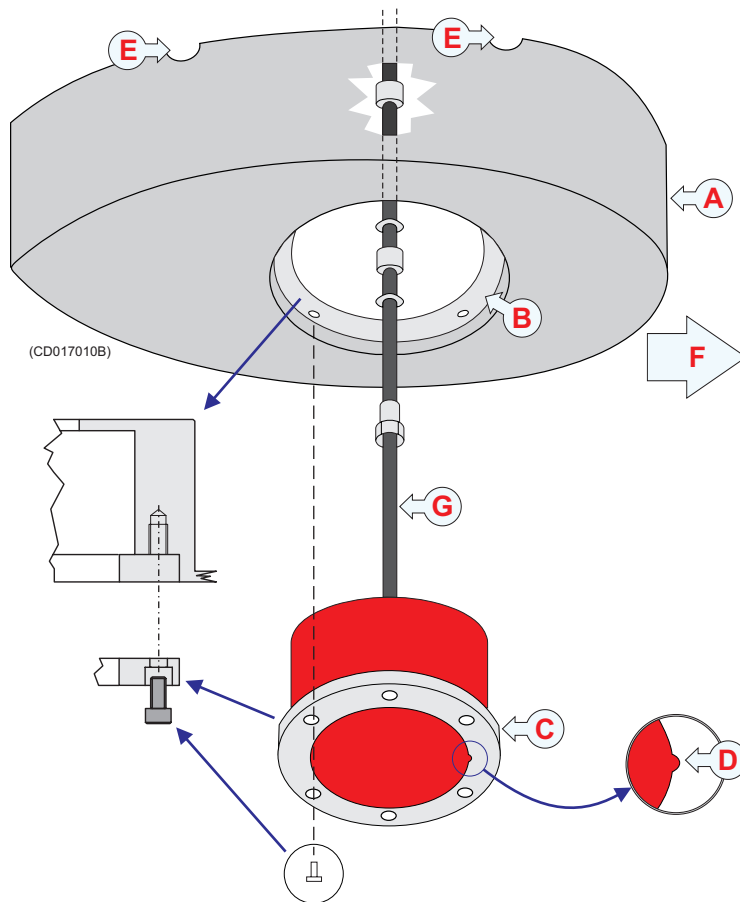


Admittance



Outline dimensions

All dimensions in mm



Installation principle

- (A) = Steel blister, must be manufactured by the shipyard
- (B) = Mounting ring, can be supplied by Simrad
- (C) = Clamping ring, can be supplied by Simrad
- (D) = Guide to indicate "Forward"
- (E) = Air outlet
- (F) = Forward
- (G) = Transducer cable

Refer to the *Simrad ES70-7C Installation manual* for more information.

Simrad Horten AS

Strandpromenaden 50
P.O.Box 111
N-3191 Horten,
Norway

Telephone: +47 33 03 40 00
Telefax: +47 33 04 29 87
www.simrad.com
simrad.sales@simrad.com