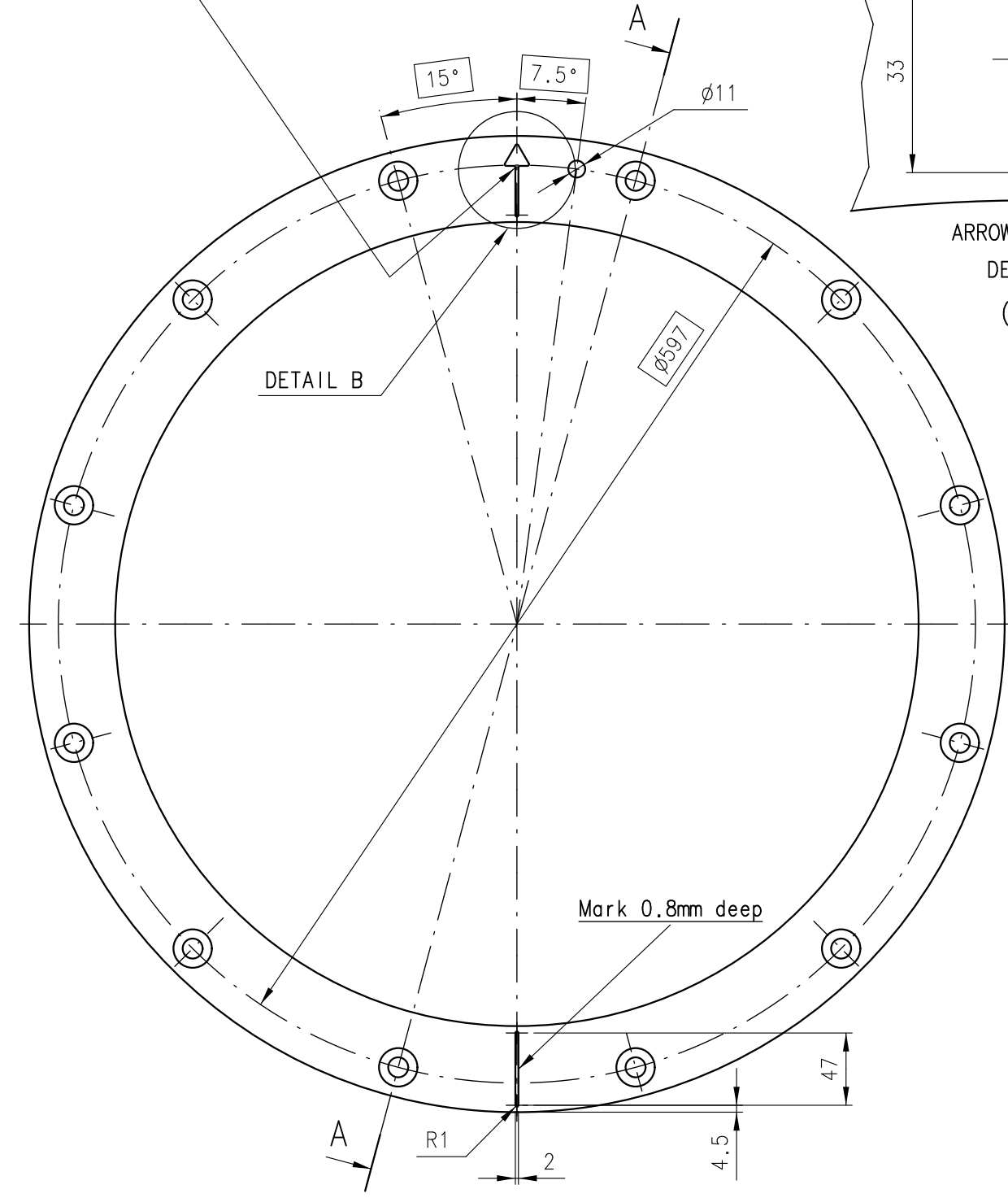
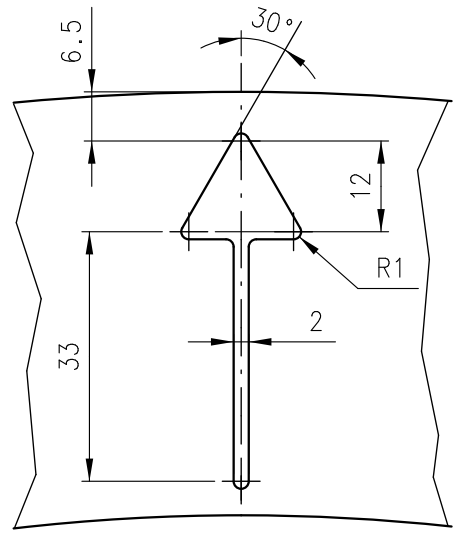


The copyright of this drawing and of all annexes which are entrusted to a person's care always remain the property of Kongsberg Maritime AS. They must not be copied or duplicated nor shown to or placed at the disposal of third persons without our written consent.

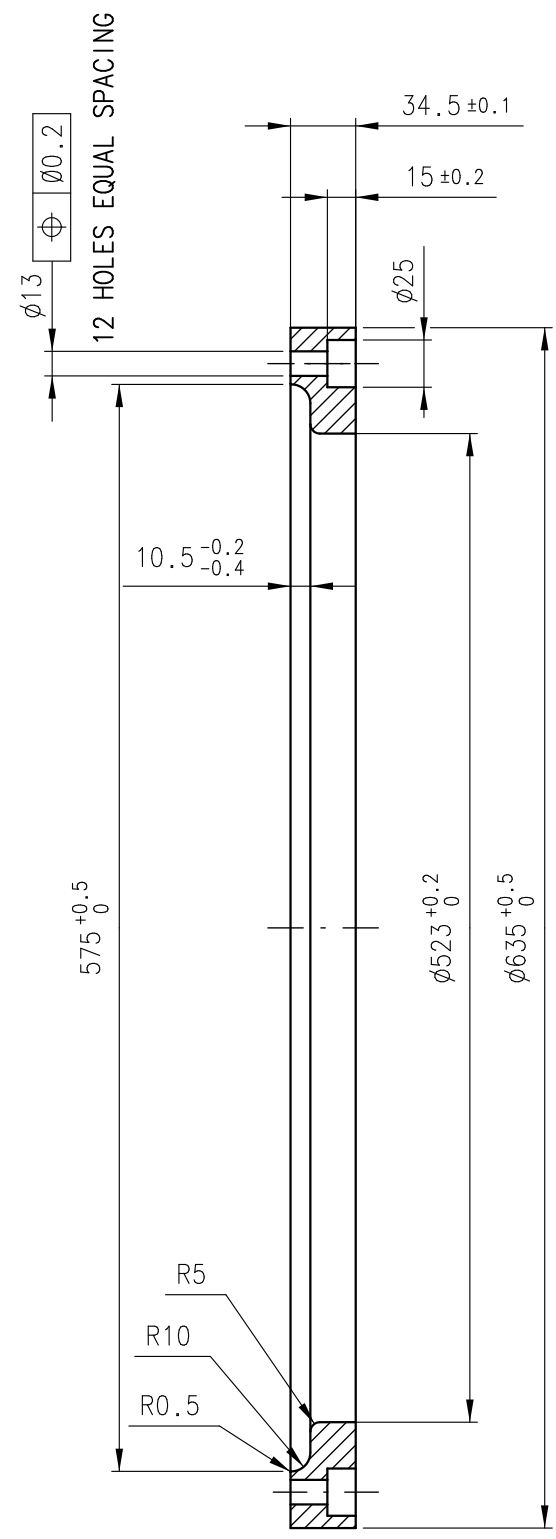
FORWARD (MBES-bow of ship / MBS-up)



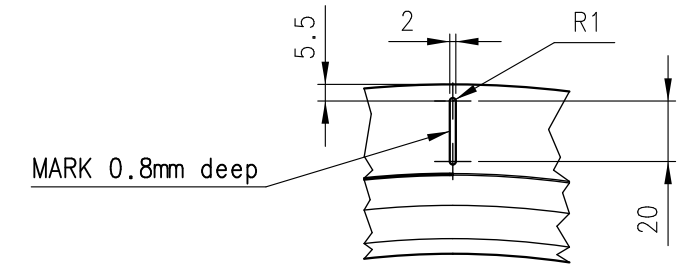
(BOTTOM VIEW)



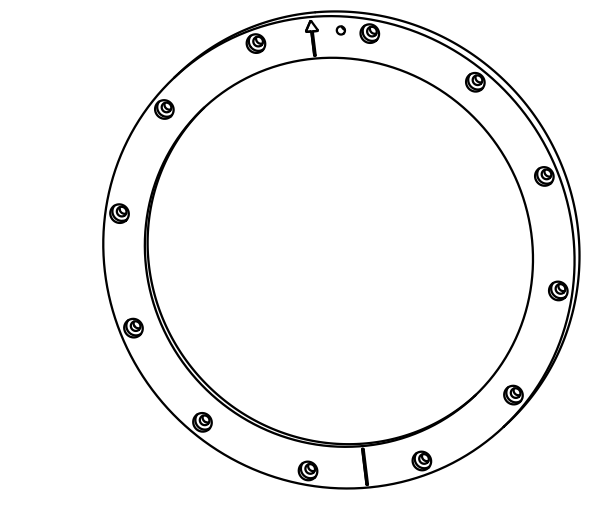
ARROW 0.8mm deep.  
DETAIL B  
(1:1)



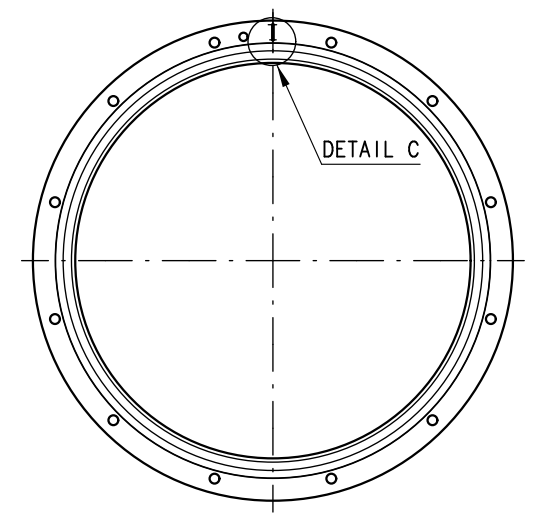
SECTION A-A



DETAIL C  
(1:2.5)



BOTTOM VIEW  
(1:10)



6.3  
NO SHARP EDGES

MATERIAL: Carbon Steel St52-3N, (S355J2G3) EN10025			UNLESS OTHERWISE STATED, TOLERANCES:			PROJ. METHODE	
SURFACE TREATMENT: -			DIM.: ISO 2768-mk			THREADS: 6g/6H SURFACE: 6.3	
CLAMPING RING			SCALE		<b>Kongsberg Maritime AS</b> <b>KONGSBERG</b>		
TRANSDUCER			1:4				
MBES/MBS			ALTERNATIVE SCALE		REV. A		
			1:10, 1:2.5		REV. DATE.		
			CLASS. CODE		ITEM ID		
			599		326431		
ORIGIN DATE	DESIGNED	APPROVED	SIZE	SHEET	REV. DATE.		
2008.09.30	bøj	AJ	A3	1 OF 1	2008.09.30		