

## 38/200 kHz Combi-transducer



### Introduction

The Combi 38/200 D combines two transducers and one temperature sensor in a single housing. It is designed with a streamlined shape for hull mounting on small vessels.

### Order number

KSV-203004

### Common specifications

Nominal impedance .....	75 ohms
Maximum pulse power input .....	1000 W
Maximum continuous power input .....	10 W
Resistance NYC thermistor at 25° .....	10 kohm
Maximum transducer depth .....	20 m
Cable length .....	15 m
Cable diameter .....	10.6 ±0.5 mm
Weight with cable .....	8 kg
Storage temperature .....	-20 to 70°C

### Technical specifications 38 kHz

Resonant frequency .....	38 kHz
Beamwidth longitudinal .....	13 deg
Beamwidth transverse .....	21 deg
Directivity, DI=10logD .....	21 dB
Side lobes .....	less than -15 dB
Back radiation .....	less than -25 dB
Source level at 1000 W .....	219 dB re 1µPa
Transmitting response .....	170 dB re 1µPa per V

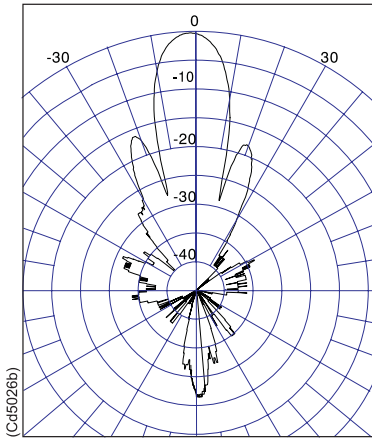
### Receiving sensitivity:

Open circuit .....	-178 dB re 1V per µPa
Electroacoustic efficiency .....	0.50

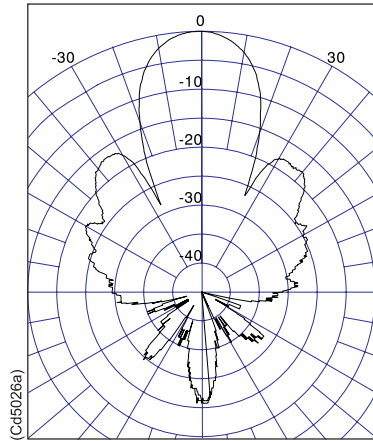
### Technical specifications 200 kHz

Resonant frequency .....	200 kHz
Beamwidth longitudinal .....	7 deg
Beamwidth transverse .....	7 deg
Directivity, DI=10logD .....	28.5 dB
Side lobes .....	less than -18 dB
Back radiation .....	less than -30 dB
Source level at 1000 W .....	227 dB re 1µPa
Transmitting response .....	178 dB re 1µPa per V
Receiving sensitivity:	
Open circuit .....	-185 dB re 1V per µPa
Electroacoustic efficiency .....	0.60

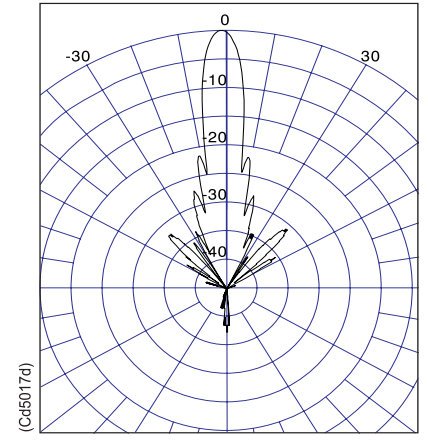
## Data



Beam pattern 38 kHz  
longitudinal

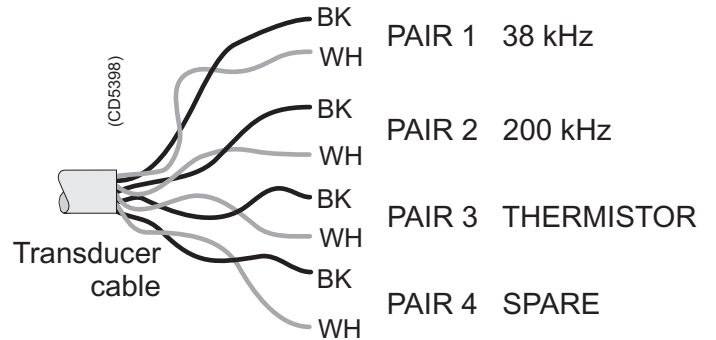
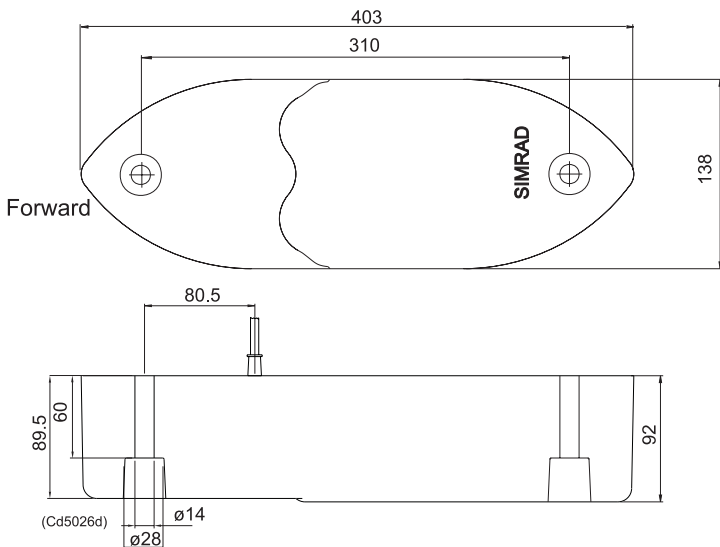


Beam pattern 38 kHz  
transverse



Beam pattern 200 kHz

## Installation



The pair number is printed on the black conductor.

### Manufacturer:

Simrad AS  
Strandpromenaden 50  
Boks 111  
3191 Horten  
Telephone: 33 03 40 00  
Facsimile: 33 04 29 87

[www.simrad.com](http://www.simrad.com)

**SIMRAD**  
A KONGSBERG Company

ALWAYS AT THE FOREFRONT OF TECHNOLOGY